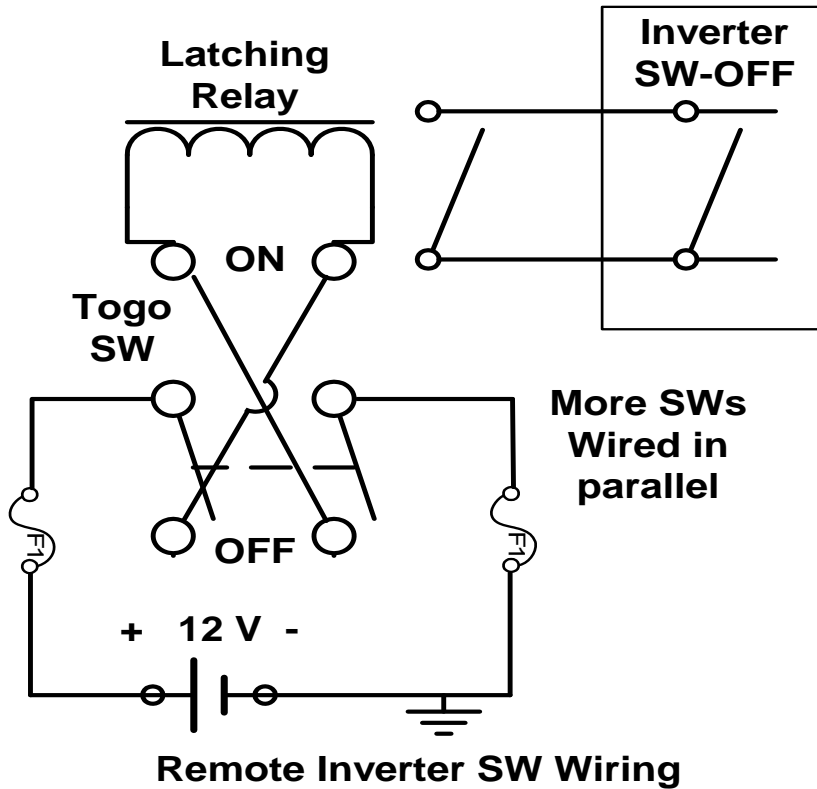


What to know about Inverters

How to wire an inverter to be able to be turned on and off at various locations.



Leave the switch on the inverter turned ON all the time and wire the latching relay in as shown above. You may need to open the inverter case to accomplish this. When the spring loaded Togo switch is turned on the latching relay closes and the inverter runs. The Togo switches returns automatically to the neutral position.